

HISPANIC KITCHEN EQUIPMENT

Tilting Carnitas Cooker



7050304 30 Gallon Braising Pan with manual tilting, natural gas, electric ignition - up to 350 38.5" x 39.75" x 37"

Carnitas Stock Pot Range

- 4702985** Stock Pot Range Natural Gas -18" x 21" x 24" . 90,000 BTU - 3 Ring Burner
- 4707752** Double Stock Pot Range with jet burners 250,000 B.T.U. 18" x 42" x 24"

Specifications:

- Stainless Steel Front and Sides.
- Heavy gauge chassis.
- Heavy duty cast iron top grate.
- Cast iron 3-ring burner (90,000 BTU/hr).
- AGA and CGA design certified, NSF Listed.



4707752

4702985



Chip Packaging Table



7158835 S/S Chip packaging table on casters with two chutes. 48" x 35" x 32"

Chopping Table

Great for Carne Asada!

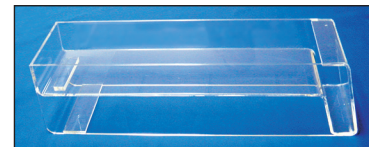
- 7152897** 24" x 24" all stainless steel table with undershelf and 2" polytop

HISPANIC DISPLAY BINS



Acrylic Food Display Bins

- 1604728 4" x 7" x 28" Acrylic Display false bottom containers
- 1606723 6" x 7" x 23" Acrylic false bottom container with front return lip
- 1606728 6" x 7" x 28" Acrylic false bottom container with front return lip
- 1608728 8" x 7" x 28" Acrylic false bottom container with front return lip
- 1601228 12" x 7" x 28" Acrylic false bottom container with front return lip
- 4808228 8" x 2" x 28" Clear Acrylic pan with front return lip



1608728

Two Compartment Acrylic Food Display Bins

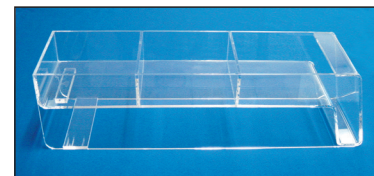
- 4808270 8" x 2" x 23" Two Compartment Acrylic false bottom container with front return lip
- 4808275 8" x 2" x 23" Two Compartment Black Acrylic false bottom container with front return lip

Three Compartment Acrylic Food Display Bins

- 1606745 6" x 7" x 28" Three Compartment Acrylic false bottom container with front return lip
- 4808240 8" x 2" x 28" Three Compartment Black Acrylic false bottom container with front return lip
- 1608745 8" x 7" x 28" Three Compartment Acrylic false bottom container with front return lip
- 4808245 8" x 2" x 28" Three Compartment Acrylic false bottom container with front return lip

Display Bins

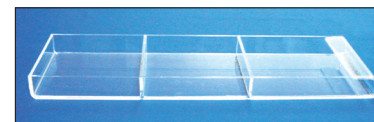
- 1606277 7" x 7" x 27" High Impact Durable Glass Bulk food bin
- 1606749 9" x 7" x 27" High Impact Durable Glass Bulk food bin
- 1606765 11" x 7" x 27" High Impact Durable Glass Bulk food bin



1608745

Two Compartment Inserts

- 1606752 9" x 5" x 27" High Impact Durable Glass Two Compartment Insert



4808245

Three Compartment Inserts

- 1606278 7" x 5" x 27" High Impact Durable Glass Three Compartment Insert
- 1606750 9" x 5" x 27" High Impact Durable Glass Three Compartment Insert



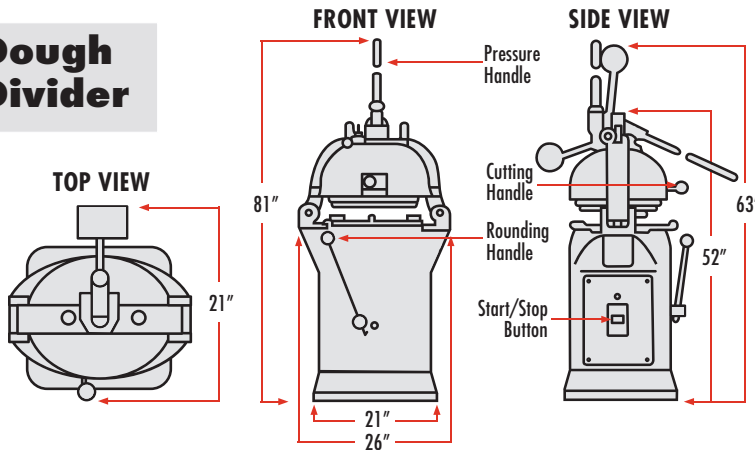
4808228

Two Compartment Bins

- 1602763 6" x 7" x 27" High Impact Durable Glass False bottom bin
- 1602783 8" x 5" x 27" High Impact Durable Glass False bottom bin

HISPANIC BAKERY EQUIPMENT

Dough Divider



- Features:**
- Divider Heads Are Cast Aluminum Or Steel With Stainless Steel Knives.
 - Solid Cast Steel Construction
 - All Models Supplied With Three Moulding Plates.
 - 220 Volt 3 phase Is Standard- single Phase Power Available
 - ETL and ETL-S Listings (UL 763 and NSF-8 Standards)
 - Meeting UL, NSF and CSA standards



1953364



1953364 36 Part Divider Rounder - 25" x 30" x 53" - 1.5 oz. to 4 oz. Capacity
 1953370 Extra Plastic Plates For ABS 36 Part Divider/Rounder

Dough Divider

1950045 Duchess 36 part manual dough divider - U.S.D.A./ N.S.F. 14" x 18" x 21 1/4" 1 oz. to 4 oz. capacity with removable head assembly
 6950045 Portable stand for Duchess bench model dough divider with locking casters, 29 lbs



1950045

Bolillo Maker

Features

- Solid, heavy duty design
- Quick and easy adjustments
- Produces up to 7,200 pcs/hr.
- Capacity from 1 oz. to 4 lbs.
- Totally enclosed chain and sprocket drive



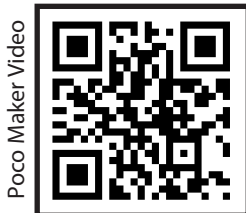
0750424



0750424 4-24 BL2 Dual Bolillo Sheeter/Molder with 6" plates 115/230V 60hz (CSA/US/BSSC) 3/4 hp 29" x 60" x 52" Single Phase
 0750430 4-24 BL2 Dual Bolillo Sheeter/Molder with 7 1/2" plates 115/230V 60hz 3/4 hp (CSA/US/BSSC) 29" x 60" x 52" Single Phase

Poco Maker

0750750 Counter top moulder
 30 1/2" x 14 5/8" x 20"
 Capacity 1/2 to 18oz.



Poco Maker Video

Features

- Compact design
- Produces up to 3,600 pcs/hr.
- Uniform & Professional looking rolls, bolillos, & breads
- Very little training required.



0750750



20 quart Planetary Mixer

- Over-sized, Heavy Duty 1/2 HP motor
- Manual Reset Motor Overload
- Locks bowl in place
- 7' length power cord
- Timer: Automatic Shutoff at desired mixing time
- Dimensions: 16 1/2" x 30" x 21"



4306300

- 4306205 20 qt. Planetary Mixer w/ Hook, Paddle, Wire Whip, & Bowl - 20" x 33" x 38"
- 4306300 20 Qt. Mixer w/ Bowl, Whip, dough Hook, & Aluminum Paddle 23" x 27" x 41" - ETL & NSF

20 quart Mixer Stand



6956205
STAND ONLY

- 6956205 20 qt. Mixer stand for ABS 20 qt. planetary mixer 20" x 30" 18" with adjustable feet

80 quart Planetary Mixer



- 4307805 80 qt. Planetary Mixer w/ Hook, Paddle, Wire Whip, Bowl, & Truck Plus
- 4307805 80 qt. Planetary Mixer - 40" x 55" 72" - 208 volt, 3 Phase Bowl, Whip, Dough Hook, Paddle
- 4308060 80/60L - 80 Qt. Planetary Mixer w/ Hook, paddle, wire whip, bowl, & truck plus 60 QT. Hook, Paddle, wire Whip & Bowl, & Truck Plus 60 qt. Hook, Paddle, Wire Whip & Bowl - 36" x 48" 66" 208 volt, 3 Phase

60 quart Planetary Mixer



- 4306275 60 qt. Planetary Mixer with Hook, Paddle, Wire Whip, Bowl, & Bowl Dolly



Spiral Mixer

- 4302625 55 Lbs. Spiral Mixer - L15-20P Nema Plug
- 4302650 110 Lb. Spiral Mixer - L15-20 P Plug
- 4306100 Spiral Mixer with 166 lbs. Dough Capacity, 110 lb capacity Flour, 35" x 51" x 58"
- 4306120 Spiral mixer 264 LB Dough Capacity 165 lbs. Flour 33" x 52" x 52"
- 4306200 Spiral mixer 440 lbs. Dough Capacity 250 lbs. Flour 45" x 78" x 68"



- Easy to operate Digital controls, with two high-visibility timers. Sealed and smooth for easy cleaning.
- Manual back up controls standard on all models.
- Stainless steel bowl, which is reversible in low speed only.
- Full bowl cover made of high impact plastic keeps flour dust down.
- Fully welded heavy-duty steel frame.
- High torque belt drive - no gear box in drive train.



4302625



4306200



4302650



4306100

Bowl Rack

- 2001680 Bowl Rack, 60 qt. Bowl cap 25" x 25" x 26" Ht. Aluminum with 5" Locking casters



2001680

Bread Slicer

- 6753218 Table top bread slicer. 1/2" slice, 15" wide loaf, 22" chute, 110 volt, 30" x 27" x 35". NSF & UL Approved



Water Meter

- 4303035 Water meter with microprocessor controls, 8' wand, external temp probe



1000 Watt Microwave Oven

- 4700360 1000 watt microwave oven with 9-button programmable panel, 22" x 20" x 14", with 1 year parts and labor warranty, 56 lbs, 13 AMPS, NEMA, 5-15 Plug.

