



HISPANIC KITCHEN EQUIPMENT

Tilting Carnitas Cooker

Tilts for safe operation

CONTROLS COOKING TEMPERATURE, REDUCES FIRE RISK



- 7050304** Groen-30 Gal. Braising pan with manual tilting, natural gas, electric ignition - 1/2" gas
- 7050362** Double pantry faucet

Tortilla chip dump tray



- 2650316** S/S combination tortilla chip dump tray and bagging chute - 48.25" x 37.5" x 8"

Taco shell baskets

- 0551270** Taco shell basket
- 0701175** Taco salad bowl for 8" to 16" tortillas- 7 1/2" x 5"
- 2650386** Frying taco shell basket holds 6 ea. 6" tortillas 5 1/2" x 9 1/2" x 2 1/2" with handle
- 2653318** Frying tostada basket capacity 1 to 18 corn tortillas 6 1/4" x 10 1/2" x 5" (not pictured)
- 2653360** Frying taco salad bowl basket - 8 1/2" x 5" with 17" handle, nickel/chrome plated



0701175



2653360



2650386



0551270

Strainers

- 1279250** Carnitas H.D. strainer with 14" bowl and 15" wood handle
- 6051432** Long handle strainer scoop 14" x 32"



1279250



6051432

Signal Hill, CA.
(562) 595-4785
2667 Gundry Avenue, 90755 • (Corporate)

OFFICE ADDRESSES
www.pbimarketing.com

Tracy, CA.
(209) 839-9280
252 Larch Road Suite A, 95304



HISPANIC KITCHEN EQUIPMENT

Carnitas Range, Pot

- 4705770** One burner gas carnitas range, 33" x 41", with 32 jet burners, rear water and gas inlets, 27" wide soup well, s/s top, custom 6.5" pot support bracket, 160,000 BTU, less back, faucet, and wok - must provide 3/4" pressure regulator, 136 lbs
- 4705792** 24" x 18" stainless steel spun kettle, 30-gallon capacity



4705770 & 4705792

Dough Divider

- 1950045** Duchess 36 part manual dough divider - U.S.D.A./N.S.F. 14" x 18" x 21 1/4" 1 oz. to 4 oz. capacity with removable head assembly
- 6950045** Portable stand for Duchess bench model dough divider with locking casters, 29 lbs



1950036

Bermixers

IDEAL FOR: SALSA, AGUA FRESCA, ENCHILADA SAUCES, CHILE VERDE

Tasty thick cream soups can be prepared directly in the cooking pot, as well as many dishes such as fish soup, bread and cheese soup, spinach, mashed potatoes, chopped salads or cabbages, pancake paste, sauces, mayonnaise, and so on.

- 4306828** Dynamic mixer with 16" shaft, 120V, 350W, 8300 rpm, UL, 29.25" x 4.75" diameter, w/cord & plug
- 4306925** Super duty bermixer with 21" immersible shaft, splash guard, 120V, w/10 ft. cord & plug, 15 lbs



4306828

Stainless Steel Table

- 7152897** 24" x 24" all stainless steel table with undershelf and 2" polytop

Stainless Steel Paddle

- 4702136** 36" stainless steel paddle with 1" diameter handle and 4.75" x 9.75" blade



4702136

Food Masher

- 2500425** 5" x 5" wood-handled food masher, 24" overall



3251505

Cleaver

- 3251505** 7" x 3.5" restaurant cleaver with wood handle



7500120

Stainless Steel Tong

- 7500120** 16" stainless steel scalloped tong



2750665

Oven Mitt

- 2750665** 17" B.B.Q. oven mitt (each)



HISPANIC KITCHEN EQUIPMENT

Taco Al Pastor

- 4702380** Vertical natural gas broiler with 1 vertical skewer - 120 volt 17 1/2" x 18" x 33" ht. N.S.F., U.L. approved
- 4702395** Vertical electric broiler with 1 vertical skewer - 208 volt, 26 AMP, 17" x 17" x 32" N.S.F., U.L. approved



Tortilla Warmer

- 2801520** TW1520 Tortilla display grill 120 volt, 1700W. 14.17 AMP 22.4" x 17.4" x 7.5" - UL approved



Tortilla Press

- 5030030** DP 1100 - Pizza dough press manually operated (NSF/UL) 17" x 34" x 33" - 120V single phase



TortillaPro

- 5030060** DP 2000 - Dual Heat par bake dough press 17" x 25" x 33" par dough/tortilla press





HISPANIC KITCHEN EQUIPMENT

Dehydrator



1730030 D12 S/S dehydrator - 110 volt led display, 12 hour timer, digital temperature gauge - 84

Chilling Paddle



4740030 Rapid kool stirring paddle 64 oz. capacity 13 3/4"

4740060 Rapid kool stirring paddle 128 oz. capacity

Self Service Bakery Smallwares

- 5205465** 11 tiered tray rack
- 4800016** 16" aluminum tray
- 7507113** 12" scalloped stainless steel tongs



Bolillo Rolling Pin

5500215 Hardwood pie pin, 12" x 1 1/2", no handle



Grill Scrapper

2801101 Grill scrapper with splash guard and long handle





HISPANIC KITCHEN EQUIPMENT

Acrylic Food Display Bins

- 1604728** 4" x 7" x 28" Acrylic display false bottom container with front return lip
- 1606728** 6" x 7" x 28" Acrylic display false bottom container with front return lip
- 1608728** 8" x 7" x 28" Acrylic display false bottom container with front return lip
- 1601028** 10" x 7" x 28" Acrylic display false bottom container with front return lip
- 1601228** 12" x 7" x 28" Acrylic display false bottom container with front return lip
- 4808228** 8" x 2" x 28" Clear acrylic pan with front return lip



4808228



1608728

3 Compartment Acrylic Food Display Bins

- 1601745** 6" x 7" x 28" 3 Compartment acrylic false bottom container with front return lip
- 1608745** 8" x 7" x 28" 3 Compartment acrylic false bottom container with front return lip
- 4808245** 8" x 2" x 28" 3 Compartment clear acrylic tray with front return lip



1608745



4808245

Extra Strength Food Display Bins



- 1606277** 27" x 6.5" x 7" clear plastic bulk food bin
- 1606749** 27" x 8.5" x 7" clear plastic bulk food bin
- 1606765** 27" x 11" x 7" clear plastic bulk food bin
- 1606278** 27" x 6.5" x 7" 3 compartment insert for bulk food bin
- 1606750** 27" x 8.5" x 7" 3 compartment insert for bulk food bin

Signal Hill, CA.
(562) 595-4785

2667 Gundry Avenue, 90755 • (Corporate)

OFFICE
ADDRESSES

www.pbimarketing.com

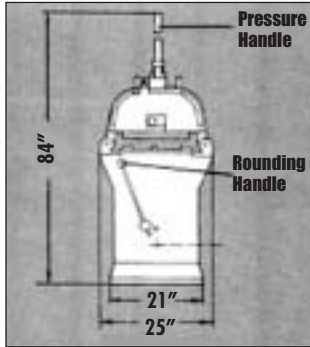
Tracy, CA.
(209) 839-9280

252 Larch Road Suite A, 95304

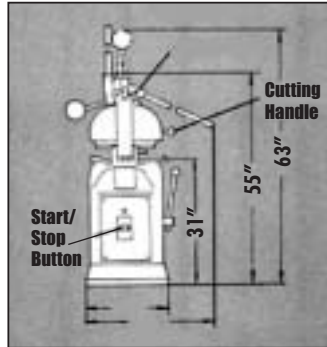


HISPANIC KITCHEN EQUIPMENT

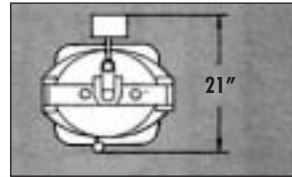
Dough Divider



Front View



Side View



Top View

Features:

- Three light weight, sanitary plastic rounding plates are included
- Machine is shipped with necessary oil for rounding mechanism
- Cutting knives are hot tin plated for sanitary purposes
- 2 years parts and labor warranty
- Minimum maintenance required
- Rounding mechanism runs in oil bath for absolutely smooth, quiet, and long lasting operation
- Hourly production up to 7,000 pieces (depends on operator efficiency and production flow)



Construction

- Base, gear housing, arch, and knife frame made of sturdy cast iron
- Finish is a lead-free enamel paint
- Head covers in front and rear are of durable thermoplastic material, impact resistant and shatter proof: they snap off and on for fast cleaning
- Rounding plate drive is via a double bearing support
- Head can be tilted to left or right side of easy cleaning: dough embracing ring comes off in seconds

Options

- Machine on wheels
- Stainless steel knives and aluminum head assembly

1950325 11/30 36 Part divider rounder semi-automatic with 3 plastic rounding plate - 220 Volt, 3 phase, 60 HZ; 3/4 HP motor, 3.0 amps, 0.55 KW

1950340 36" Plastic molding plate for 11/30 Erika divider/rounder



Bolillo Maker

0750424 4-24 BL2 Dual Bolillo Sheeter/molder - 115/230V 60hz 3/4 hp 29" x 60" x 52" (CSA/US/BSSC) Single Phase

Features

- Solid, heavy duty design
- Quick and easy adjustments
- Produce up to 3,600 pcs/hr.
- Capacity from 1 oz. to 4 lbs.
- Easy to remove scraper assemblies
- Totally enclosed chain and sprocket drive



0750424

Hispanic Seasonings

Seasoning for Rotisserie

300-287 Carmen's Pollo Seasoning

300-317 Chile Pollo Marinade

300-340 California Garlic & Pepper

300-398 Sazon Suprema

300-242 Hot Adobo Seasoning



Hispanic Sprinkles

300-278 Fajita Seasoning

300-289 Carmen's Carne Asada Sprinkle

300-359 Green Chili Sprinkle

300-377 Red Chili Sprinkle

300-365 Sazon Cilantro Y Achiote Sprinkle

300-387 Santa Cruz with Lime Sprinkle

300-404 Mexican BBQ Sprinkle

Hispanic Marinades

100-087 Cinco de Mayo Taco Marinade

100-348 Trinis Adovada Marinade

800-074 Carne Asada Sprinkle

100-069 Puebla Fajita (Beef) Marinade

100-031 Chicken Fajita Marinade



Breadings

500-112 Pan Rayado Sazonado

500-001 Mr. Pig Chicken Breading



Seasonings for Tortilla Chips

300-501 Chile Con Limon Fine

300-051 Jalapeno Snack Seasoning

300-180 Hot Fry Snack Seasoning

300-218 Hot & Spicy Snack/Nut Seasoning

300-131 New Nacho Cheese Snack Seasoning